



**ELECTRIC TANKLESS WATER HEATER - POINT OF USE**

# INSTANT-FLOW® C-MICRO - LOW ACTIVATION

**IDEAL APPLICATION:** bar and utility sink manual, meter, or sensor hand washing faucet(s)

## PRODUCT FEATURES

- Uses a digital microprocessor for temperature control, Ultra quick response times for temperature variations - 120 times per second. Microprocessor use is the most energy efficient means of heating water
- Unlimited hot water
- Ideal for sensor /hands-free faucets with the 104°F (40°C) factory preset setting; no mixing valve needed
- Ultra Low Flow Activation - 0.20 GPM (0.75 LPM)
- Saves water and energy - 99% energy efficient
- Meet all CAL GREEN low flow requirements
- Meets LEED v4 low flow requirements
- Vandal resistant rugged cast aluminum housing
- Space saving compact size: 6-1/4" (H) x 9-5/8" x 2-3/4" (159 (H) x 244 x 70mm)
- Meets applicable building codes including ADA, UL, IAPMO, UPC, CSA.
- Environmentally friendly
- Made in the U.S.A.
- Patent Pending
- Field Adjustable Temperature 104-125°F (40-52°C) (Option -ADJ)



Instant-Flow® C - Micro - Low Activation

## GUIDE SPECIFICATION

Tankless Water Heater shall be a Chronomite Laboratories Model

<b>CM -</b> _____ <b>L /</b> _____ <small>AMPS                      VOLTS</small>	_____ <small>OPTIONS</small>
--	---------------------------------

with \_\_\_\_\_ Amps and \_\_\_\_\_ Volts

to heat to a preset temperature of:

- 104°F (40°C)     110°F (43°C)     Other temperature settings available upon request (specify below)
- 120°F (49°C)  
(Meets health code)

Unit shall be provided with Celcon waterways, and Nichrome heating coils. Temperature controlled by microprocessor.

### OPTIONS

- PA 765 ABS Housing (P)
- Satin Finish Stainless Steel Housing (SS)
- High Polish Finish Stainless Steel (SSP)
- Pressure & Temp Relief Valve Assembly (TP)
- 1/2" Male NPT (NPT08)
- Field Adjustable Temperature 104° to 125°F (ADJ)
- Disconnect Switch, Rotary 40A - Lockable

Chronomite Instant-Flow® C-Micro - Low Activation models are manufactured to provide reliable point-of-use hot water. There is no pressure and temperature relief valve needed (unless required by code), saving time and money on installation.

**Housing** is fabricated from rugged cast aluminum alloy.

**Element assembly** is fabricated from Celcon plastic.

**Heating coils** are nichrome.

**Faucet flow controls** are supplied with each unit. 3/8" compression fittings are supplied (standard). Optional 1/2" male NPT water connections available.



Member of U.S. Green Building Council



Water Conserving Product

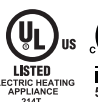


Made in the USA

**Complies with Standards for:**

LISTED TO: UL STD 499

CERTIFIED TO: CAN/CSA STD C22.2 No. 98



Federal Public Law 111-380 (No Lead)



## CHRONOMITE LABORATORIES, INC.

17451 Hurley St. :: City of Industry, CA 91744  
 Phone 800-447-4962 :: 626-937-4270  
 Fax 626-937-4279 :: www.chronomite.com

MEMBER OF





**ELECTRIC TANKLESS WATER HEATER - POINT OF USE**

# INSTANT-FLOW® C-MICRO - LOW ACTIVATION

For the model being selected, please place the corresponding amps and volts values in the Guide Specifications on the first page.

MODEL	AMPS	VOLTS	90°C WIRE	WATTS	ACTIVATION GPM	°F TEMPERATURE RISE @				
						0.35 GPM	0.50 GPM	1.00 GPM	1.50 GPM	2.00 GPM
CM-12L/120	12	120	14 AWG	1440	0.20	28	20	---	---	---
CM-12L/208	12	208	14 AWG	2500	0.20	49	34	---	---	---
CM-12L/240	12	240	14 AWG	2880	0.20	56	39	20	---	---
CM-12L/277	12	277	14 AWG	3320	0.20	65	45	23	---	---
CM-15L/120	15	120	14 AWG	1800	0.20	35	25	---	---	---
CM-15L/208	15	208	14 AWG	3120	0.20	61	43	21	---	---
CM-15L/240	15	240	14 AWG	3600	0.20	70	49	25	---	---
CM-15L/277	15	277	14 AWG	4150	0.20	81	57	28	---	---
CM-20L/120	20	120	12 AWG	2400	0.20	47	33	---	---	---
CM-20L/208	20	208	12 AWG	4160	0.20	81	57	28	---	---
CM-20L/240	20	240	12 AWG	4800	0.20	90+	66	33	22	---
CM-20L/277	20	277	12 AWG	5540	0.20	90+	76	38	25	---
CM-30L/120	30	120	10 AWG	3600	0.20	70	49	25	16	---
CM-30L/208	30	208	10 AWG	6240	0.20	90+	85	43	28	21
CM-30L/240	30	240	10 AWG	7200	0.20	90+	90+	49	33	25
CM-30L/277	30	277	10 AWG	8310	0.20	90+	90+	57	38	28
CM-40L/208	40	208	8 AWG	8320	0.20	90+	90+	57	38	28
CM-40L/240	40	240	8 AWG	9600	0.20	90+	90+	66	44	33

Note 1: Maximum temperature rise may be governed by preset outlet temperature.

Note 2: Local plumbing and electrical codes must be followed for installation of water heater and the accessories.

## INSTANT-FLOW® C-MICRO - LOW ACTIVATION METRIC CHART

MODEL	AMPS	VOLTS	90°C WIRE	WATTS	ACTIVATION LPM	°C TEMPERATURE RISE @				
						1.30 LPM	2.00 LPM	4.00 LPM	6.00 GPM	8.00 LPM
CM-12L/120	12	120	14 AWG	1440	0.75	16	10	---	---	---
CM-12L/208	12	208	14 AWG	2500	0.75	28	18	---	---	---
CM-12L/240	12	240	14 AWG	2880	0.75	32	21	10	---	---
CM-12L/277	12	277	14 AWG	3320	0.75	37	24	12	---	---
CM-15L/120	15	120	14 AWG	1800	0.75	20	13	---	---	---
CM-15L/208	15	208	14 AWG	3120	0.75	34	22	11	---	---
CM-15L/240	15	240	14 AWG	3600	0.75	40	26	13	---	---
CM-15L/277	15	277	14 AWG	4150	0.75	46	30	15	10	---
CM-20L/120	20	120	12 AWG	2400	0.75	27	17	---	---	---
CM-20L/208	20	208	12 AWG	4160	0.75	46	30	15	10	---
CM-20L/240	20	240	12 AWG	4800	0.75	50+	34	17	11	---
CM-20L/277	20	277	12 AWG	5540	0.75	50+	40	20	13	10
CM-30L/120	30	120	10 AWG	3600	0.75	40	26	13	---	---
CM-30L/208	30	208	10 AWG	6240	0.75	50+	45	22	15	11
CM-30L/240	30	240	10 AWG	7200	0.75	50+	50+	26	17	13
CM-30L/277	30	277	10 AWG	8310	0.75	50+	50+	30	20	15
CM-40L/208	40	208	8 AWG	8320	0.75	50+	50+	30	20	15
CM-40L/240	40	240	8 AWG	9600	0.75	50+	50+	34	23	17

Note 1: Maximum temperature rise may be governed by preset outlet temperature.

Note 2: Local plumbing and electrical codes must be followed for installation of water heater and the accessories.

Chronomite Laboratories assumes no responsibility for use of void or suspended data. © Copyright Chronomite Laboratories, Inc. Member of Morris Group International, City of Industry, CA Please visit [www.chronomite.com](http://www.chronomite.com) for most current specifications.

<b>SELECTION SUMMARY &amp; APPROVAL FOR MANUFACTURING</b>	Company _____	
	Model Number & Options _____	Quantity _____
	Contact _____	Title _____
	Signature (Approval for Manufacturing) _____	Date _____
	<b>CHRONOMITE LABORATORIES, INC.</b> PH. 800-447-4962 626-937-4270 FAX 626-937-4279 <a href="http://www.chronomite.com">www.chronomite.com</a>	

# INSTANT-FLOW® C-MICRO - LOW ACTIVATION

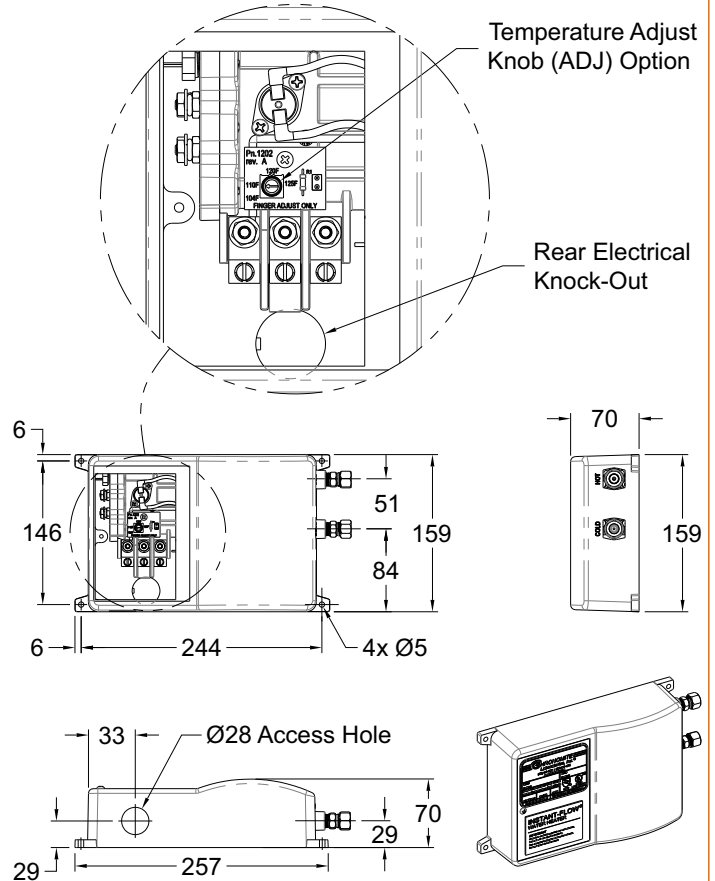
## TECHNICAL DIMENSIONS

### INSTANT-FLOW® C-MICRO - LOW ACTIVATION

Dimensions:	159 (H) x 244 x 70mm
Weight:	2.27 Kg
Materials:	Rugged cast aluminum housing Celcon plastic element assembly with nichrome coils
Housing Color:	White
Minimum Operating Flow Rate:	0.75 LPM
Minimum Operating Pressure:	172 kPa
Maximum Operating Pressure:	552 kPa
Maximum Pressure:	1034 kPa
Maximum Water Temperature:	71°C
Maximum Ambient Operating Temperature:	60°C
Listing:	UL, IAPMO, UPC, ADA, ETL

#### GENERAL NOTES:

- The microprocessor adjusts the heater's power for variations in flow rates, inlet water temperature and pressure to assure the selected factory preset water temperature.
- 240V models when operated at 220V will have approximately a 15% wattage decrease.
- 120V models when operated 110V will have approximately a 15% wattage decrease.
- Instant-Flow C-Micro is ideal for sensor/hands-free faucets with the 104°F (40°C factory preset setting temperature ; no mixing valve needed
- Factory setting of 110°F or above require cold water mixing at the hand wash faucet.
- Microprocessor limits temperature increase according to the pre-selected temperature.



Chronomite Laboratories assumes no responsibility for use of void or suspended data. © Copyright Chronomite Laboratories, Inc. Member of Morris Group International, City of Industry, CA Please visit [www.chronomite.com](http://www.chronomite.com) for most current specifications.

SELECTION SUMMARY  
& APPROVAL FOR  
MANUFACTURING

Company \_\_\_\_\_

Model Number & Options \_\_\_\_\_ Quantity \_\_\_\_\_

Contact \_\_\_\_\_ Title \_\_\_\_\_

Signature (Approval for Manufacturing) \_\_\_\_\_ Date \_\_\_\_\_

**CHRONOMITE**  
LABORATORIES, INC.

PH. 800-447-4962

626-937-4270

FAX 626-937-4279

[www.chronomite.com](http://www.chronomite.com)

# INSTANT-FLOW® C-MICRO - LOW ACTIVATION

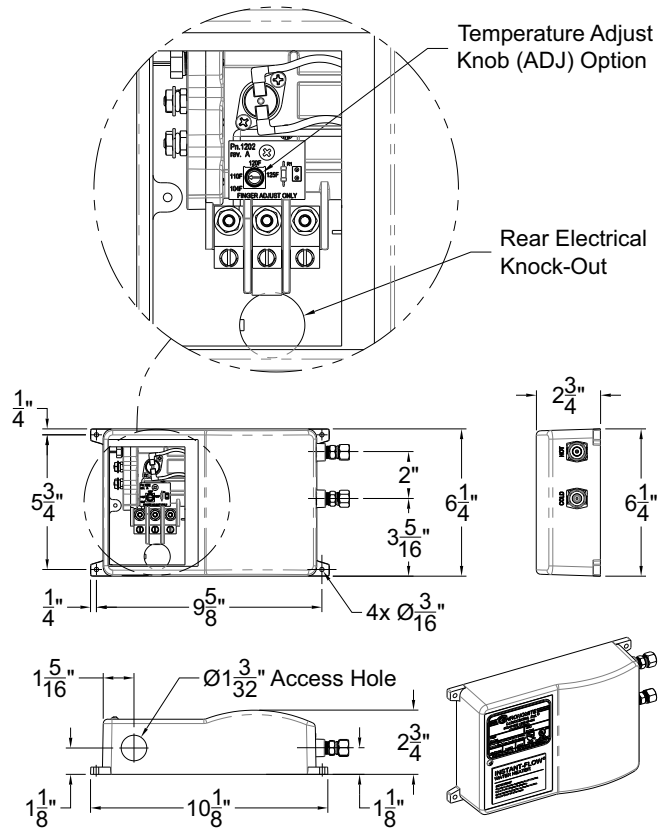
## TECHNICAL DIMENSIONS

### INSTANT-FLOW® C-MICRO - LOW ACTIVATION

Dimensions:	6-1/4" (H) x 9-5/8" x 2-3/4"
Weight:	5 lbs.
Materials:	Rugged cast aluminum housing Celcon plastic element assembly with nichrome coils
Housing Color:	White
Minimum Operating Flow Rate:	0.2 GPM
Minimum Operating Pressure:	25 PSI
Maximum Operating Pressure:	80 PSI
Maximum Pressure:	150 PSI
Maximum Water Temperature:	160°F
Maximum Ambient Operating Temperature:	140°F
Listing:	UL, IAPMO, UPC, ADA, ETL

#### GENERAL NOTES:

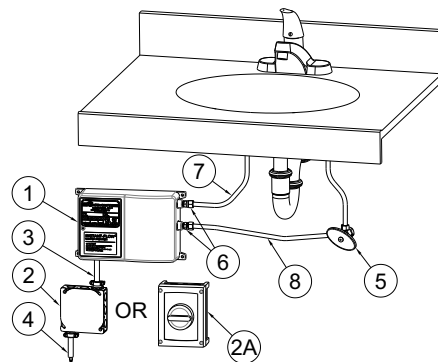
- The microprocessor adjusts the heater's power for variations in flow rates, inlet water temperature and pressure to assure the selected factory preset water temperature.
- 240V models when operated at 220V will have approximately a 15% wattage decrease.
- 120V models when operated 110V will have approximately a 15% wattage decrease.
- Instant-Flow C-Micro is ideal for sensor/hands-free faucets with the 104°F (40°C) factory preset setting temperature ; no mixing valve needed
- Factory setting of 110°F or above require cold water mixing at the hand wash faucet.
- Microprocessor limits temperature increase according to the pre-selected temperature.



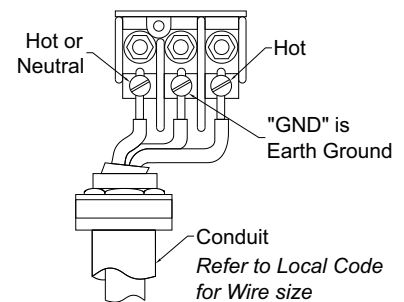
#### Notes:

1. Heater to be installed below the level of all hot water outlets serviced by the Heater.
2. Diagram shown with standard 3/8" Compression Fitting. Optional 1/2" NPT Male water connections available.

- 1 Instant-Flow Micro Heater
- 2 Electrical Junction Supply Box (Optional)
- 2A 2095-1 Disconnect Switch (Optional)
- 3 Electrical Supply Conduit
- 4 Electrical Supply Wire
- 5 Dual Outlet Stop, 3/8" Comp. Outlet Connections
- 6 3/8" Comp. x 1/4" NPT Fittings (supplied)
- 7 3/8" Hot Water Outlet
- 8 3/8" Cold Water Inlet



#### WIRING CONNECTION



#### ATTENTION:

**Unit must be hard wired.**

NOTE: Heaters are single phase. All tests are measured at the output of the heater.

Chronomite Laboratories assumes no responsibility for use of void or suspended data. © Copyright Chronomite Laboratories, Inc. Member of Morris Group International, City of Industry, CA Please visit [www.chronomite.com](http://www.chronomite.com) for most current specifications.

SELECTION SUMMARY  
& APPROVAL FOR  
MANUFACTURING

Company \_\_\_\_\_

Model Number & Options \_\_\_\_\_ Quantity \_\_\_\_\_

Contact \_\_\_\_\_ Title \_\_\_\_\_

Signature (Approval for Manufacturing) \_\_\_\_\_ Date \_\_\_\_\_

**CHRONOMITE**  
LABORATORIES, INC.  
PH. 800-447-4962  
626-937-4270  
FAX 626-937-4279  
[www.chronomite.com](http://www.chronomite.com)